

User manual

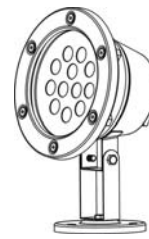
V Aqua Series



VA-1TC



VA-6



VA-12

Make the Visio high power family complete, V Aqua is specially manufactured for the application in or around the water. With stainless steel housing, powerful light output, and an IP rating of 68, V Aqua gives life to fountains, swimming pools, ponds, etc., in the evening.

1. Attention:

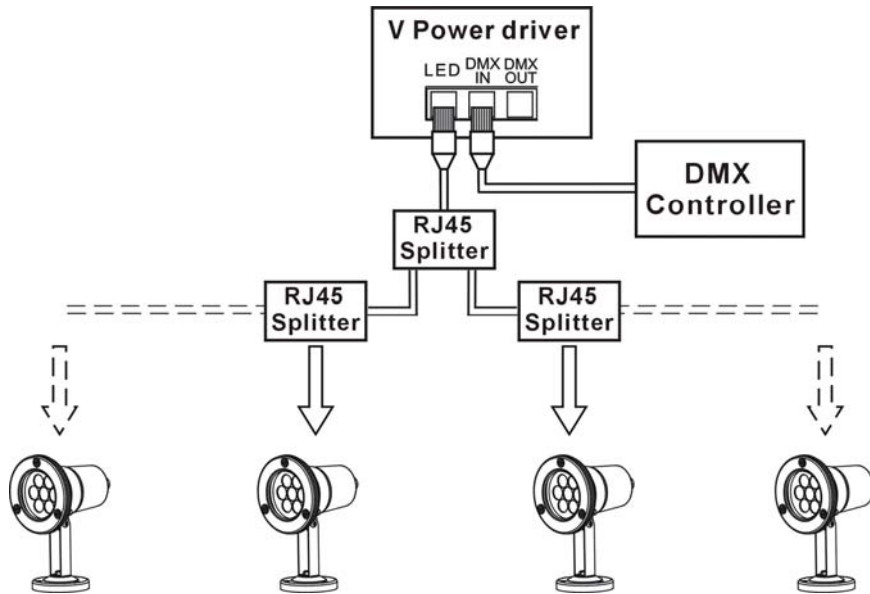
- Do not install the fixture near high inflammable liquids or materials.
- Do not allow anything to rest on the fixture.
- Do not install the fixture near the naked flames.
- Do not install the fixture in dirty, dusty location.
- Do not looking directly into the LED light beam at close range.

2. Technical specifications:

Item	VA-1TC	VA-6	VA-12
Max. Input Current	350mA	350mA	350mA
Input Voltage	DC 48V	DC 48V	DC 48V
Power Consumption	3.3W	6.5W	13.1W
Compatible Power Supply	V Power 60, V Power 120, V Power 240, V Power 600		
LED Emitter	3W	1W	1W
Number of LEDs	1 x Tri-color	2R, 2G, 2B	4R, 4G, 4B
LED Life Expectancy	50,000hrs	50,000hrs	50,000hrs
Beam Angle	25°, 40°	15°, 25°	15°, 25°
Available LED Colors	RGB (3 in 1)	RGB	RGB
IP Rated	IP 68	IP 68	IP 68
Power/Data Cable	1.5m, 24AWG x 4P Cat.5e Cable		
Size	<p>105 x 83 x 145mm</p>		<p>111 x 160 x 228mm</p>
Weight	0.6kg		2.0kg

3. Installation

The V Aqua unit should be connected to the V Power driver. See V Power 60 (or V Power 120, V Power 240, V Power 600) user manual for full details of mains power requirement, built-in programs and DMX operation. Connect the end of the V Aqua’s cable directly to the driver or use suitable cable joint box(water-proof for outdoor installation) if the cable has to be extended.



For the number of V Aqua projectors that can be linked together, please follow the Maximum power output limit of each zone of the V Power.

The RJ45 plug that connects the V Aqua unit to the V Power driver has the following wiring:

RJ45 plug (View facing pins)	PIN	Color of wire	RGB
	1	White/Orange	Not used
	2	Orange	Red LED +
	3	White/Green	Blue LED +
	4	Blue	Green LED +
	5	White/Blue	Not used
	6	Green	Red LED -
	7	White/Brown	Blue LED -
	8	Brown	Green LED -

4. Maintenance

- Clean the front transparent cover at least every 1-2 months. Use a moist, lint-free cloth. Never use alcohol or solvents!