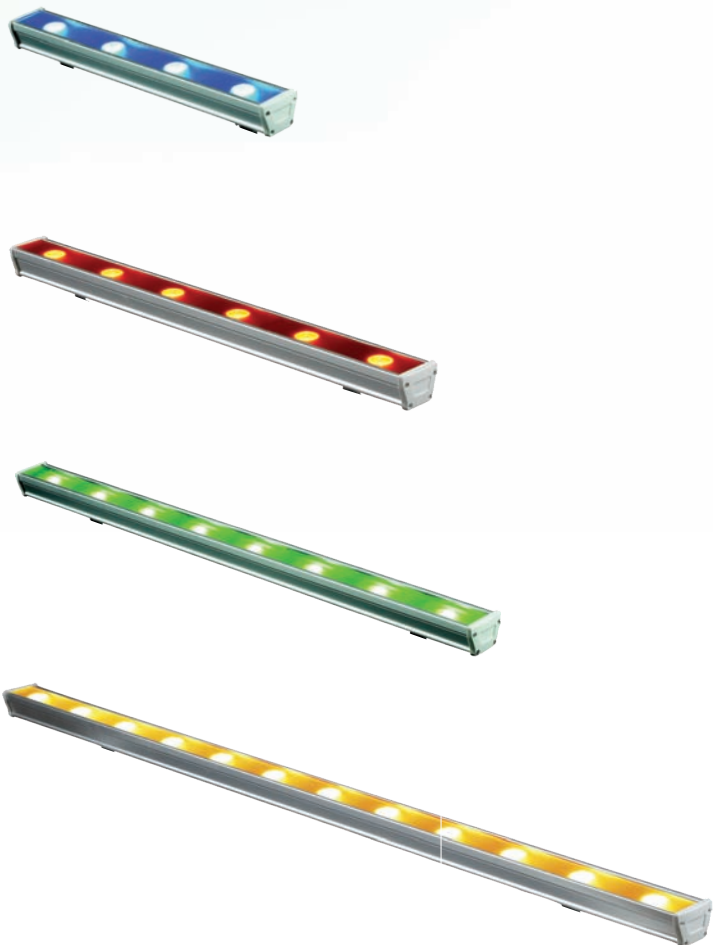


V Bar TC

V Bar 4 TC
 V Bar 6 TC
 V Bar 8 TC
 V Bar 12 TC

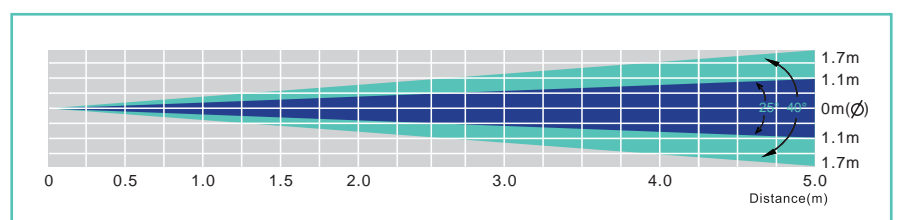
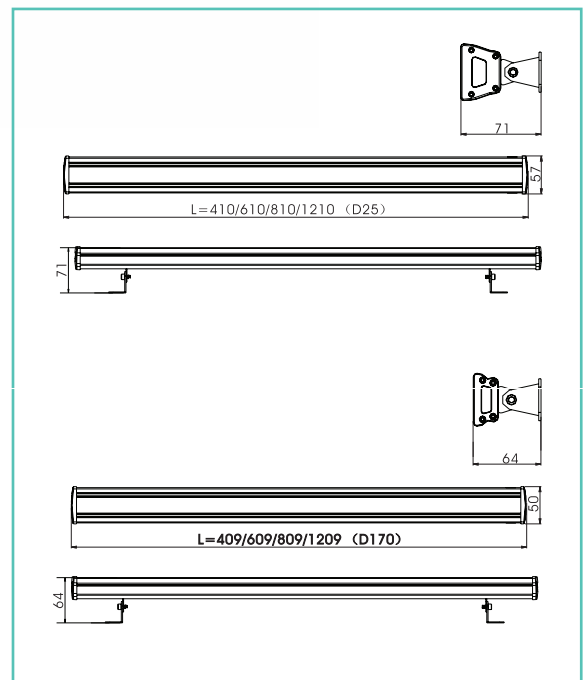
Available in RGB - 25°, 40° or 170 °Beam Angle
 Available in RGB - 25°, 40° or 170 °Beam Angle
 Available in RGB - 25°, 40° or 170 °Beam Angle
 Available in RGB - 25°, 40° or 170 °Beam Angle

See Page 29 for Product Code Listings



The V Bar tri-colour series features the latest Tri-colour leds. Colour fading, dimming and mixing can be achieved by V Power controllers. With the latest technology, finest components, and user friendly V Power controller, the V Bar Tri-colour series is ideal for all indoor applications. The V Bar is also available in cool white, warm white or any combination of leds.

- Housed in linear extruded aluminium with tempered glass cover.
- Adjustable mounting bracket works as floor stand or can be mounted on any surface.
- Optimal thermal management system.
- Interchangeable lens.
- Excellent performance, reliability and lifespan.



Specification \ Item	V Bar 4 TC	V Bar 6 TC	V Bar 8 TC	V Bar 12 TC
Max. Input Current	350 mA	350 mA	350 mA	350 mA
Input Voltage	DC 48V	DC 48V	DC 48V	DC 48V
Power Consumption	13.1 W	19.6 W	26.1 W	39.2 W
Compatible Power Supply	V Power 60, V Power 120, V Power 240, V Power 600			
Number of LEDs	4xTri-color	6xTri-color	8xTri-color	12xTri-color
LED Emitter	3W	3W	3W	3W
LED Life Expectancy	50,000 hrs	50,000 hrs	50,000 hrs	50,000 hrs
Beam Angle	25°,40°,170°	25°,40°,170°	25°,40°,170°	25°,40°,170°
Available LED Colors	RGB, W(CW+WW)	RGB, W(CW+WW)	RGB, W(CW+WW)	RGB, W(CW+WW)
Power/ Data Cable	1.5m, 24AWG x 4P Cat.5e Cable			
Size	409.8x56.6x80.5mm(D25) 409.8x56.6x80.5mm(D40) 408.6x50x64mm(D170)	609.8x56.6x80.5mm(D25) 609.8x56.6x80.5mm(D40) 608.6x50x64mm(D170)	809.8x56.6x80.5mm(D25) 809.8x56.6x80.5mm(D40) 808.6x50x64mm(D170)	1209.8x56.6x80.5mm(D25) 1209.8x56.6x80.5mm(D40) 1208.6x50x64mm(D170)
Weight	1.4 kg	1.8 kg	2.2 kg	2.6 kg

V Bar 4 TC

		DISTANCE M	0.5	1.0	1.5	2.0	3.0	4.0	5.0		
RED	170°	155.5	41	20	11.2	5.5	3.6	2.6	lux		
	40°	777	307	156	96	45	27	17.4			
	25°	810	320	174	109	57	35	18.7			
GREEN	170°	345	87	43.2	21.2	9.2	5.8	4.1	lux		
	40°	1623	622	311	188	87	51	33.3			
	25°	1890	680	353	207	98	56	39.3			
BLUE	170°	26	7.4	3.6	2	1.1	0.8	0.6	lux		
	40°	174	65	32	20	9	5.6	3.8			
	25°	200	87	38	29	15	9	7.6			
RGB FULL	170°	476	125.6	63	32.6	14.7	9	6.5	lux		
	40°	2490	960	481	295	136	80	52			
	25°	2740	1000	512	375	147	89	56			

V Bar 6 TC

		DISTANCE M	0.5	1.0	1.5	2.0	3.0	4.0	5.0		
RED	170°	196.7	65.5	32.1	18.4	10	7	4	lux		
	40°	877	356	215	123.4	60.8	36.3	24.2			
	25°	925	380	230	146	74	47	33.3			
GREEN	170°	401	128	60	30.5	16.9	8.4	6	lux		
	40°	1760	748	441	267	129.6	75.4	50			
	25°	2060	906	522	332	161.3	100	68.4			
BLUE	170°	33.8	13.3	7.8	4.4	3.2	1	0.8	lux		
	40°	193	77	45	27	13.3	7.9	5.9			
	25°	212	105	63	41	20.3	14.7	11.1			
RGB FULL	170°	569	181.5	82.5	49.9	24.9	14	9.7	lux		
	40°	2750	1153	668	402	196.4	113.9	75.4			
	25°	2820	1274	740	467	233	141	97.5			

V Bar 8 TC

		DISTANCE M	0.5	1.0	1.5	2.0	3.0	4.0	5.0		
RED	170°	222	72	36.6	22.7	10	6.5	4.6	lux		
	40°	886	375	228	150	78	47	34			
	25°	902	423	265	180	92	57	40.5			
GREEN	170°	430	141	71	49	24.2	15	10.2	lux		
	40°	1787	827	474	315	165	99	65			
	25°	1985	868	545	356	185	112	78.5			
BLUE	170°	38	12	6.2	3	1.6	1.2	0.8	lux		
	40°	191	90	54	37	17	11	7			
	25°	242	111	70	47	27	17.6	13.3			
RGB FULL	170°	635	207	105	68	33	21.6	14.7	lux		
	40°	2690	1090	718	479	248	150	101.9			
	25°	2880	1295	807	530	280	167.5	115.3			

V Bar 12 TC

		DISTANCE M	0.5	1.0	1.5	2.0	3.0	4.0	5.0		
RED	170°	239	90.6	49.3	30	15.8	10	7.2	lux		
	40°	808	394	256	177	99	61	41.7			
	25°	878	440	271	180	105.4	69.2	52.4			
GREEN	170°	452	178.6	92.7	54.5	26.5	16	11.7	lux		
	40°	1826	892	580	395	220	136.6	91.5			
	25°	1927	1042	657	432	239	150.7	108.6			
BLUE	170°	38	15	7.7	5	2.5	1.6	1.2	lux		
	40°	200	93	61	41	22	14	9.6			
	25°	247	114	64.4	47.3	27.4	18.6	14.4			
RGB FULL	170°	676	258	135.4	83.4	41	25.4	18.5	lux		
	40°	2720	1348	863	590	320	202	136.7			
	25°	2830	1452	933	609	343	216	160.5			