

User manual

V Ceiling Series

The V Ceiling delivers dynamic color changes of full color spectrum with continuously variable intensity . With the standard MR 16 & AR1-11(for V Ceiling 12 only) fittings, high powered LEDs, and interchangeable optical systems, V Ceiling can easily achieve the desired effects for a wide range of applications; It's ideal for hotel, club, bar, department store, shop, home, etc.

1. Attention:

- Do not install the fixture near high inflammable liquids or materials.
- Do not allow anything to rest on the fixture.
- Do not install the fixture near the naked flames.
- Do not install the fixture in dirty, dusty location.
- Do not looking directly into the LED light beam at close range.
- Operate only in places where the sufficient air flow is present.

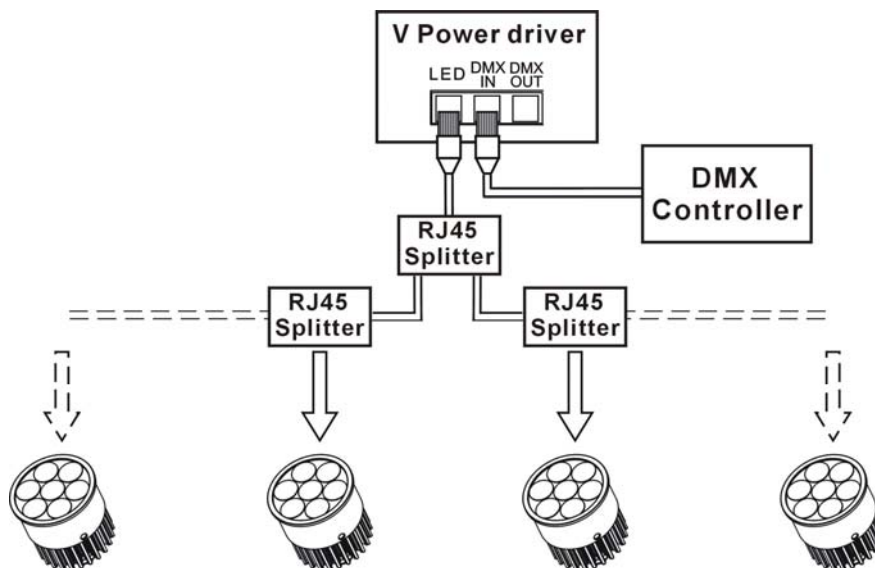
2. Technical specifications:

Item	VC-1TC	VC-3	VC-4	VC-6	VC-7	VC-12
Max. Input Current	350mA	350mA	350mA	350mA	350mA	350mA
Input Voltage	DC 48V	DC 48V	DC 48V	DC 48V	DC 48V	DC 48V
Power Consumption	3.3W	3.3W	4.5W	6.5W	7.7W	14.2W (WW+CW) 13.1W (RGB)
Compatible Power Supply	V Power 60, V Power 120, V Power 240, V Power 600					
Number of LEDs	1 x Tri-color	1R, 1G, 1B Or 3CW, 3WW	1R, 1G, 1B,1W	2R, 2G, 2B Or 6CW, 6WW	2R, 2G, 2B, 1W or 7CW, 7WW	4R, 4G, 4B, or 12CW, 12WW or 6CW+6WW
LED Emitter	3W	1W	1W	1W	1W	1W
LED Life Expectancy	50,000hrs	50,000hrs	50,000hrs	50,000hrs	50,000hrs	50,000hrs
Beam Angle	25°, 40°	15°, 25°	15°, 25°	15°, 25°	25°	15°, 25°
Available LED Colors	RGB (3 in 1)	RGB, CW(6500K), WW(3200K)				RGB, CW(6500K), WW(3200K) W(CW+WW)
Power/Data Cable	1.5m, 24AWG x 4P Cat.5e Cable					
Weight	0.4kg	0.4kg	0.4kg	0.4kg	0.4kg	0.8kg
Size	Ø50 x 73mm	Ø50 x 58mm		Ø50 x 72mm	Ø50 x 76mm	Ø111 x 89mm

3. Installation

The V Ceiling unit should be connected to the V Power driver. See V Power 60 (or V Power 120, V Power 240, V Power 600) user manual for full details of mains power requirement, built-in programs and DMX operation.

Connect the end of the V Ceiling's cable directly to the driver or use suitable cable joint box(water-proof for outdoor installation) if the cable has to be extended.



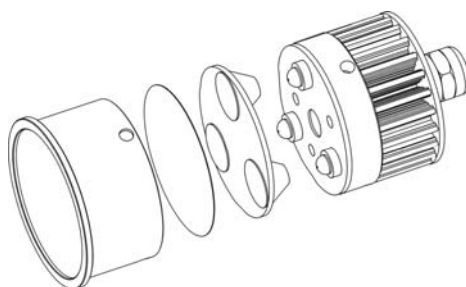
For the number of V Ceiling projectors that can be linked together, please follow the Maximum power output limit of each zone of the V Power.

The RJ45 plug that connects the V Ceiling unit to the V Power driver has the following wiring:

RJ45 plug (View facing pins)	PIN	Color of wire	RGB
	1	White/Orange	Not used
	2	Orange	Red LED +
	3	White/Green	Blue LED +
	4	Blue	Green LED +
	5	White/Blue	Not used
	6	Green	Red LED -
	7	White/Brown	Blue LED -
	8	Brown	Green LED -

4.Change Beam Angle

In this V Ceiling series, if you want to change the beam angle of fixture, you can change lens of the fixture refer to the photo below:



5. Maintenance

- Clean the front transparent cover at least every 1-2 months. Use a moist, lint-free cloth. Never use alcohol or solvents!