

# V Power

V Power 60  
V Power 120

Output Zones - 1 | 60W  
Output Zones - 2 | 120W

See Page 33 for Product Code Listings

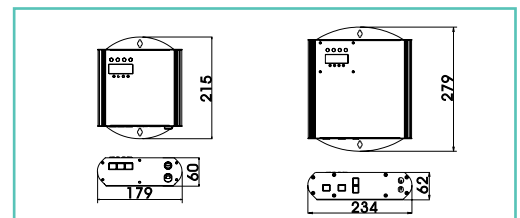


V Power is not only a reliable power supply but also a versatile DMX controller for Visio high powered LED passive luminaries. V Power can also control the fixtures fitted with white (Cool White/CW+ Warm White/WW) and single colour LEDs, minus the RGB/RGBW lighting fixtures.

V Power features many use friendly function as follows:

- 7 channel modes (Ch. 1 & 2 for RGBW; Ch 3 & Ch 4 for RGB; Ch 5 & Ch 6 from CW and WW colours; Ch 7 for single colour) enables V Power to control passive lighting fixtures that are fitted with different LED emitters
- Comes with 16 built in programs under Master/Slave mode
- Under manual mode, user can adjust each colour's intensity to get the best colour mixing effects
- White Balance setup, user can adjust the pre-set White Balance of the V Power
- 3 user editable chases, each chase up to 42 scenes
- Smooth fade in/face out effect
- It can be controlled by the LED Remote Commander (LED-RC)
- Switching power supply AC 100 – 240 50/60Hz
- LED Display for easy navigation

V Power



Specification	Item	V Power 60	V Power 120
Power Supply		AC 100-240V, 50/60Hz	AC 100-240V, 50/60Hz
Max. Power Output		60W	120W
Max. Output Voltage		DC 48V	DC 48V
Max. Output Current		350mA per color	350mA per color
Number of Output Zones		1	2
Max. Load Each Zone (1W LED)		12R, 12G, 12B, 12W	12R, 12G, 12B, 12W
Total LEDs Loaded (1W LED)		36 for RGB Mode 48 for RGBW Mode	72 for RGB Mode 96 for RGBW Mode
DMX Channels		7,4,3,4,2,2,1	11,8,6,4,4,3,2
Channel Mode		7	7
Operation Modes		DMX, Master/Slave, Stand Alone	
Built-in Programs		16 built-in chases	16 built-in chases
User Editable Programs		3 editable chases up to 42 scenes each	
Display		4-digit LED Display	4-digit LED Display
DMX Connection		RJ45 or XLR	RJ45 or XLR
Size		179 x 215 x 60 mm	234 x 279 x 62 mm
Weight		1.4 kgs	2.4 kgs

Output Zones - 4 | 240W  
Output Zones - 10 | 600W

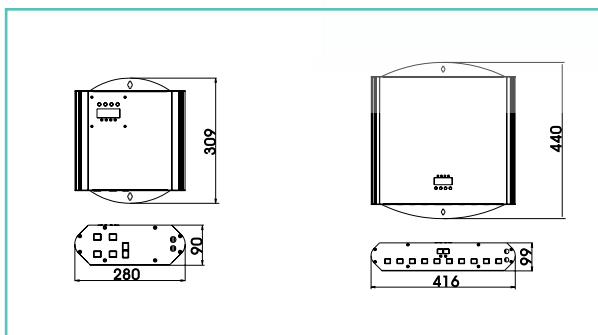
See Page \* for Product Code Listings

V Power 240  
V Power 600

V Power is not only a reliable power supply but also a versatile DMX controller for Visio high powered LED passive luminaries. V Power can also control the fixtures fitted with white (Cool White/CW+ Warm White/WW) and single colour LEDs.

V Power features many user friendly functions as follows:

- 7 channel modes (Ch. 1 & 2 for RGBW; Ch 3 & Ch 4 for RGB; Ch 5 & Ch 6 for CW and WW colours; Ch 7 for single colour) enables V Power to control passive lighting fixtures that are fitted with different LED emitters
- Comes with 3 x chase groups, each group has 8 chases (3 editable chases), and each chase can have up to 42 scenes. For editing the chases, Visio has developed a software that enables you to edit the chases easily
- It comes with built-in clock for editing your shows. You can edit max. 30 shows (choose from the chases) in one week, and different time period per day
- User can run the chase manually step by step by pressing the manual button
- Excellent fade effect, and auto running function
- LCD display for easy navigation



Specification	Item	V Power 240	V Power 600
Power Supply		AC 100-240V, 50/60Hz	AC 100-240V, 50/60Hz
Max. Power Output		240W	600W
Max. Output Voltage		DC 48V	DC 48V
Max. Output Current		350mA per color	350mA per color
Number of Output Zones		4	10
Max. Load Each Zone (1W LED)		12R, 12G, 12B, 12W	12R, 12G, 12B, 12W
Total LEDs Loaded (1W LED)		144 for RGB Mode 192 for RGBW Mode	360 for RGB Mode 480 for RGBW Mode
DMX Channels		19,16,12,4,8,5,4	43,40,30,4,20,11,10
Channel Mode		7	7
Operation Modes		DMX, Master/Slave, Stand Alone	
Built-in Programs		15 built-in chases	15 built-in chases
User Editable Programs		3 editable chases up to 42 scenes each	
Display		LCD Display	LCD Display
DMX Connection		RJ45 or XLR	RJ45 or XLR
Size		280 x 309 x 90 mm	416 x 440 x 99 mm
Weight		4.0 kgs	5.6 kgs